



SHORTING BLOCKS

Models:

SB-4T, 6T, 4TC & 6TC.

RATING:

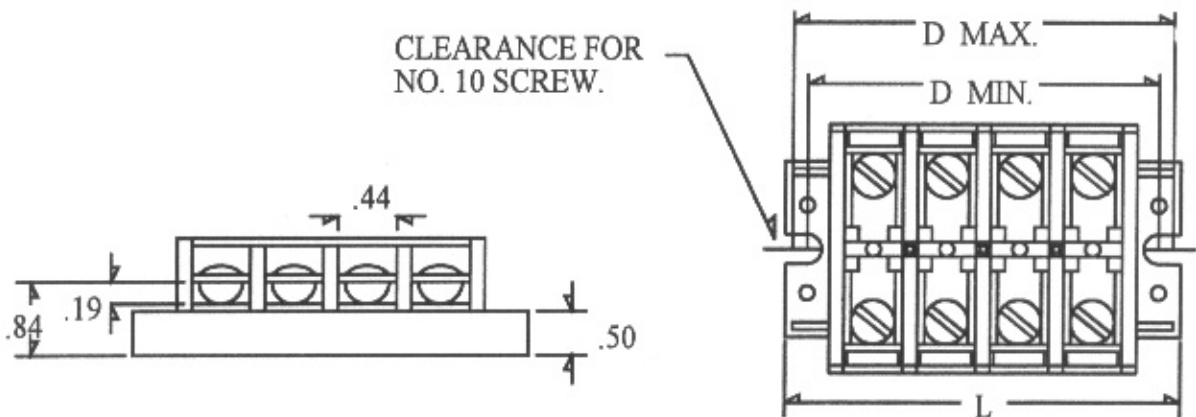
600 VAC, 40 AMP.

APPLICATION:

Control and power wire termination.
Short circuiting for meter servicing,
current transformers, ct taps, etc.

WIRE RANGE:

10 AWG MAX.



- 4 and 6 pole configurations.
- # 10-32 tin plated round washer head steel terminal screws.
- 4 and 6 pole configurations available as shorting type with 4 knurled shorting screws and screw " Parking Stations ".
- Surface mounting flat base for direct one piece terminal block replacement.
- Marking strip provided (on the cover for shorting blocks, on the base otherwise).
- Wide brass terminals allow lugs up to 1/2" in width.

CATALOG NO.	NUMBER OF POLES	COVER
SB-4T	4	NO
SB-6T	6	NO
SB-4TC	4	YES
SB-6TC	6	YES

CAT NO	CKTS	L	MOUNTING	
			D MIN	D MAX
SB-4T	4	3.25	2.88	3.00
SB-6T	6	4.50	4.12	4.25